

Properties

Company	Seven	Development Type	Production	Customer Style #	
Brand	SEVEN WOVEN-DENIM	Main Materials		Classification	JEAN
Department	MEN	Style Number	SN1955H3	Sub-Class	Straight
Season	2020 FALL Woven-Denim	Style Name	NewStraight SamsBK	Size Range	SN 3030-4232 JEAN

Sizes

Inseam-Jean	Waist-Jean						
	30	32	34	36	38	40	42
30	✓	✓	✓	✓	✓	✓	✓
32	✓	✓	✓	✓	✓	✓	✓
34	✓	✓	✓	✓	✓	▨	▨

Delivery Date1	RMG	Modified	1/5/21, 11:39 AM
FIT	Created	2/6/20, 6:28 PM	Modified By
Merch Group	Created By	Monica verma	Monica Verma

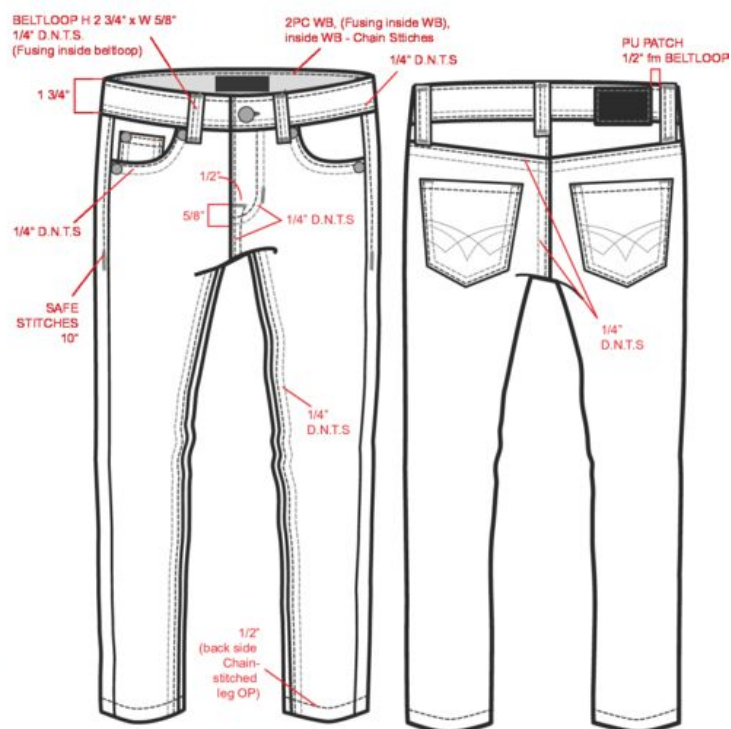
Properties

Cover_Sketch

BRAND : Seven7Mens SAMS
SEASON : FALL 2020
STYLE : SN1955H3
FIT : NEW SLIM STRAIGHT, Size 32
 - Main Measurement and pattern follow FW19ISN1364H change knee 16" legOP15"
FABRIC : CS20212HS (NEW BLACK)
WASH : RINSE

POCKET LINING	QTS polytwill220 #BLACK						
ZIPPER (4YG)	GUNMETAL (Tape: Talon7156)						
Shank Button 32L x 1	MATT BLACK CODE: S7DHB-32B-MBLK						
Rivet 11mm x 5	MATT BLACK CODE: 7SEVEN-18L(#MBLK)						
TOP STITCHING	<table border="0"> <tr> <td>■ GUN# B030 BLACK</td> <td>■ GUN# B030 BLACK</td> </tr> <tr> <td>- 606 X 1 ply</td> <td>■ GUN# B030 BLACK</td> </tr> <tr> <td>- 6-7 S.P.L.</td> <td></td> </tr> </table>	■ GUN# B030 BLACK	■ GUN# B030 BLACK	- 606 X 1 ply	■ GUN# B030 BLACK	- 6-7 S.P.L.	
■ GUN# B030 BLACK	■ GUN# B030 BLACK						
- 606 X 1 ply	■ GUN# B030 BLACK						
- 6-7 S.P.L.							
Overlocking	■ GUN# B030 BLACK						
Bartack/ ButtonHole	■ GUN# B030 BLACK						

1. Inside Hem / LegOpening - Chain Stitches
2. Felled seam at Back Rise / Back Yoke
3. Open Side Seam (3 thread Overlock 604/10spi)
4. Skipped/Broken stitches or breaking threads are not allowed
5. French seam for pocket bags

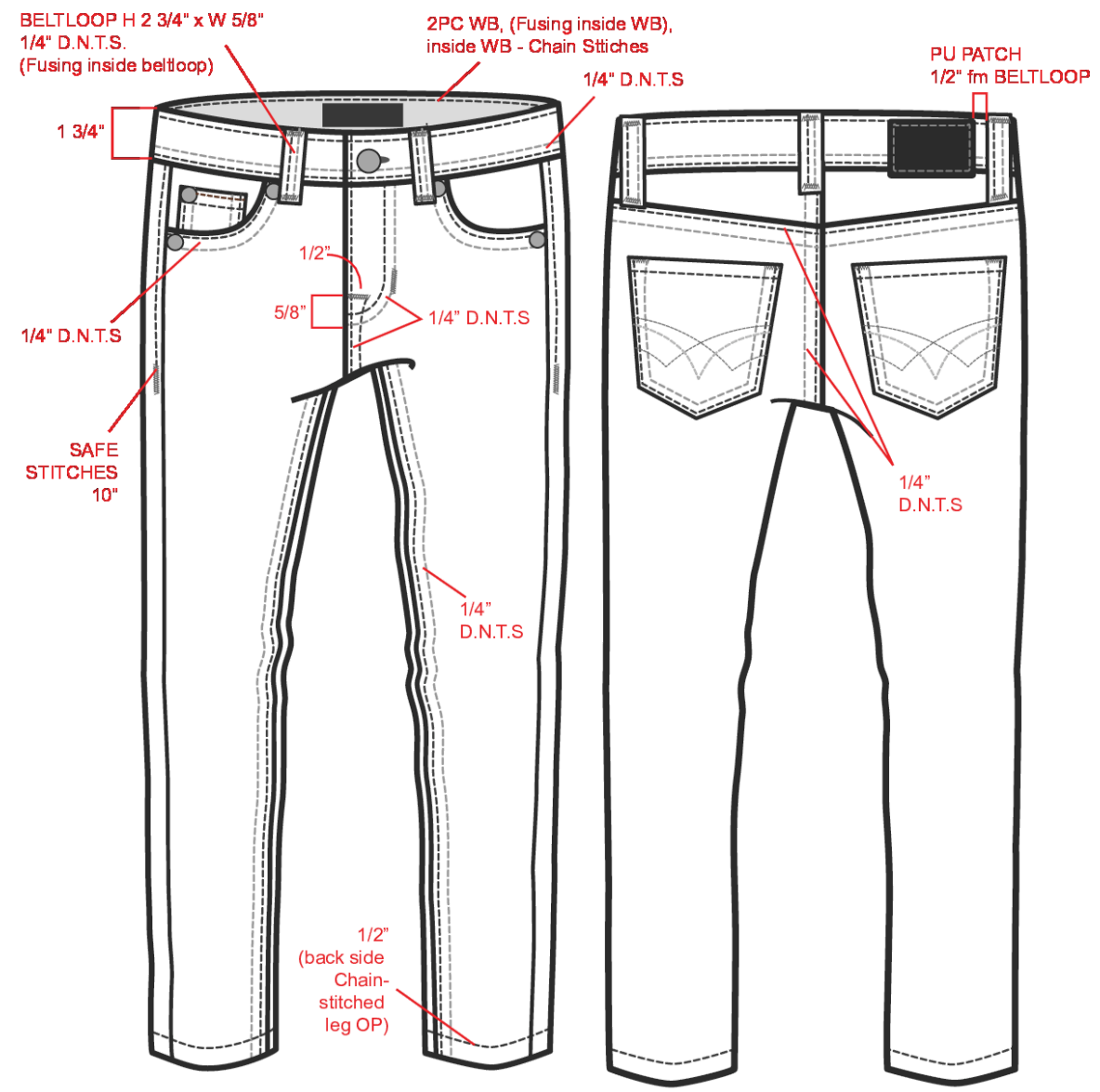


Labeled Images

BRAND : Seven7Mens SAMS
SEASON : FALL 2020
STYLE : SN1955H3
FIT : NEW SLIM STRAIGHT, Size 32
 - Main Measurement and pattern follow FW19#SN1364H change knee 16" legOP15"
FABRIC : CS20212HS (NEW BLACK)
WASH : RINSE

POCKET LINING	QTS polywill220 #BLACK
ZIPPER (4YG)	GUNMETAL (Tape: Talon7156)
Shank Button 32L x1	MATT BLACK CODE: S7DHB-32B-MBLK
Rivet 11mm x 5	MATT BLACK CODE: 7SEVEN-18L(#MBLK)
TOP STITCHING	■ GUN# B030 BLACK - 606 X 1 ply - 6-7 S.P.I. ■ GUN# B030 BLACK
Overlocking	■ GUN# B030 BLACK
Bartack/ ButtonHole	■ GUN# B030 BLACK

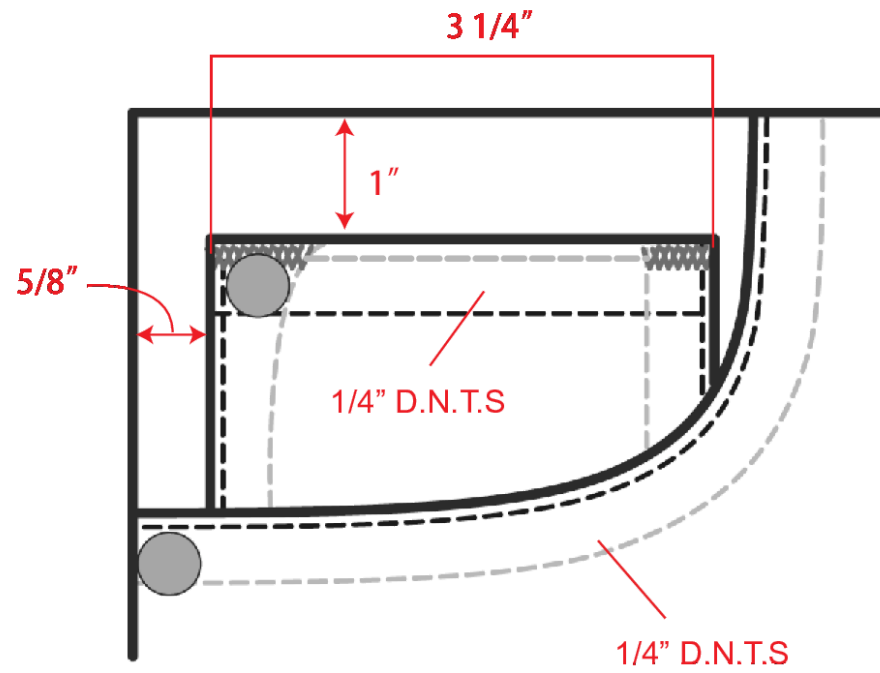
1. Inside Hem / LegOpening - Chain Stitches
2. Felled seam at Back Rise / Back Yoke
3. Open Side Seam (3 thread Overlock 604/10spi)
4. Skipped/Broken stitches or breaking threads are not allowed
5. French seam for pocket bags



Cover_Sketch

Labeled Images

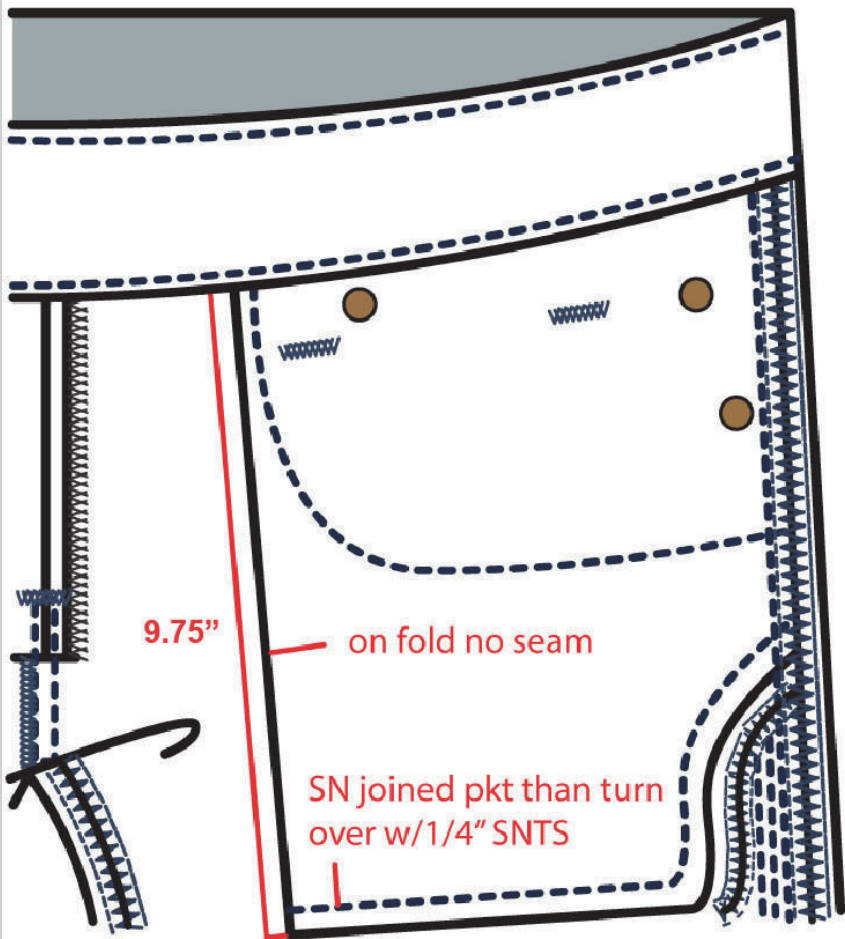
***COIN POCKET SIZE (Size:32) / PLACEMENT**



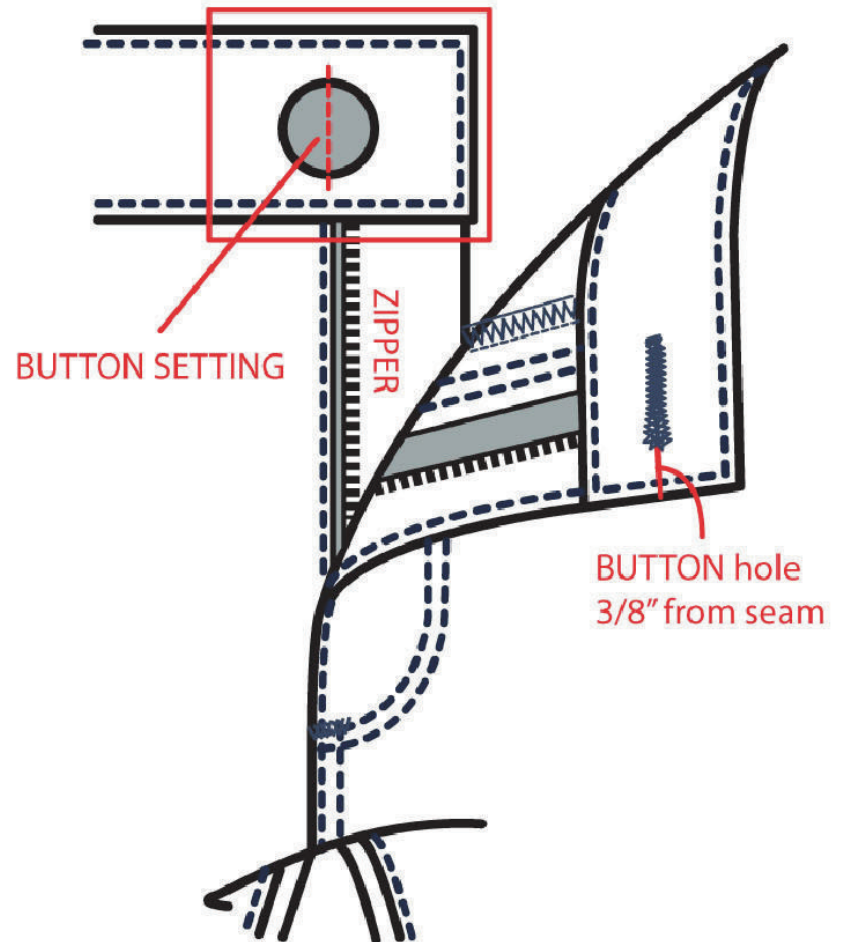
Detail

Labeled Images

POCKETBAG CONSTRUCTION



BUTTONS + KEYHOLE PLACEMENT



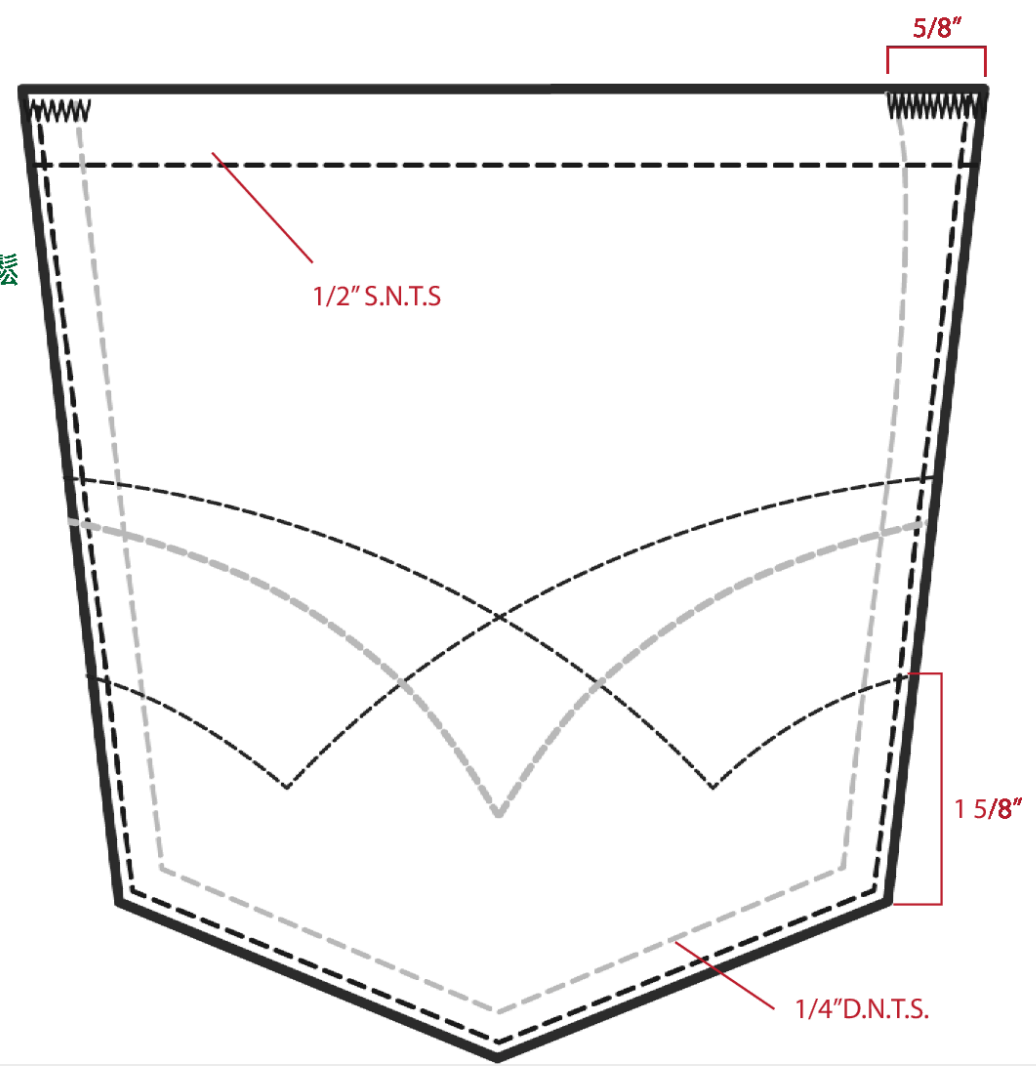
Pocket_Bag_Construction

Labeled Images

BACK POCKET SIZE (Size:32)
W 6 5/8" X H 6 5/8" (Size 32) // T.S. : 606 X 1ply

** Loose embroidery tension 車花針步盡鬆
** RATIO as artwork 長度針針距跟圖

- 603 x 2 ply, GUN# B030 BLACK
- 603 x 3 ply, GUN# B030 BLACK



Pocket_Embroidery_and_Thread_Specifications

Labeled Images

JOKER TAG

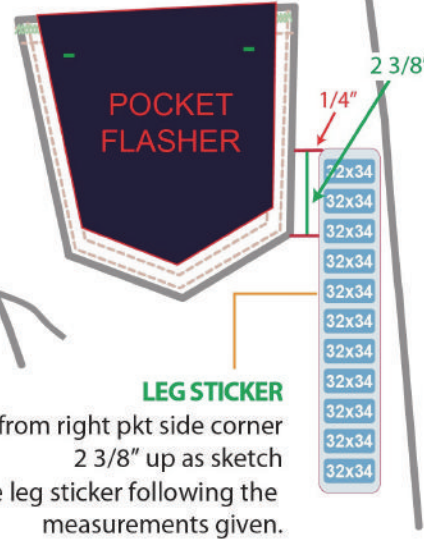
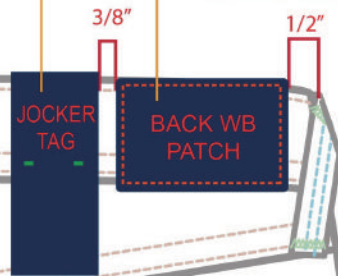
Placed on wearer's right back waistband 3/8" from back patch.

Tack w/soft plastic tag
AFTER WASH!

LEATHER PATCH

Placed on wearer's right back waistband 1/2" from side loop. Edgestitch all around w/ DTM thread

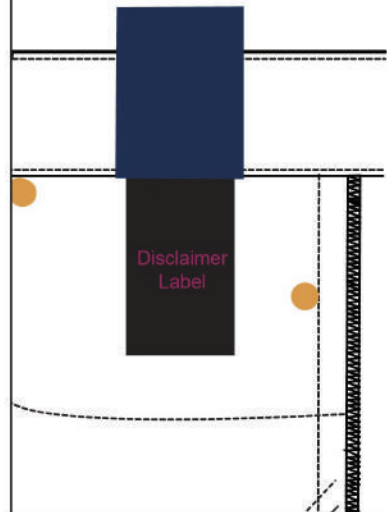
AFTER WASH!



***GENERIC SKETCHES FOR PLACEMENT PURPOSES ONLY!!!**

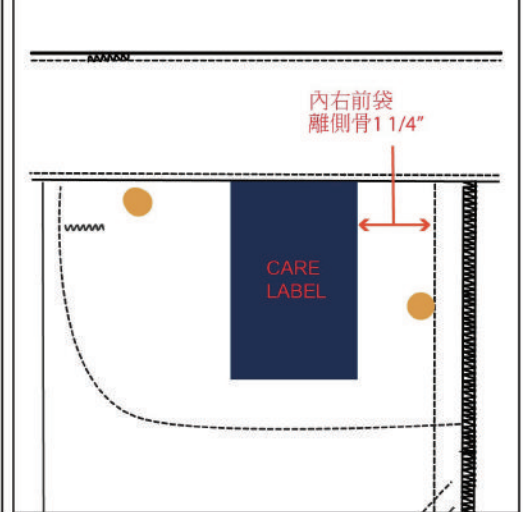
***DisclaimerLabel**

into WB Seam, behind the care label.



Care Label (loop label) inserted

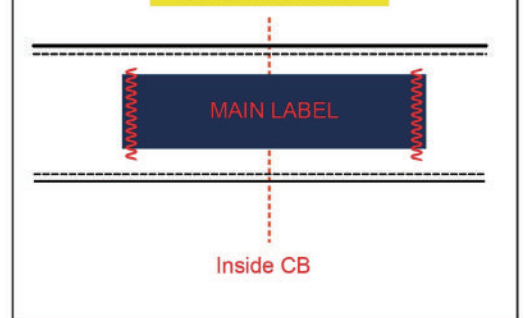
into WB Seam, 1 1/4" from Side Seam.



Main label at CB

sew 2 sides Bartacks thread Gun#2685

AFTER WASH!



Labeled Images



WASH: RINSE

Wash

Labeled Images

SEVEN7 4-WAY STRETCH Marketing Trims for Sam's Club - 1955H3 SLIM STRAIGHT (BLACK)

Disclaimer Label
S7M-DISBK

The appearance of this garment is unique unto itself. Irregularities may be present and are design characteristics created from wash techniques, embellishments and other treatments, to achieve a unique look that grows more apparent after every wash.

CAUTION: This garment is non-colorfast color may fade or bleed. Wash before wearing. Time Tested Quality Apparel Handcrafted and Tailored to fit

L'apparence de ce vêtement est unique en lui-même. Irrégularités peuvent être présentes et sont des caractéristiques de conception créées à partir de caractères spéciaux et techniques de lavage, ornements et autres traitements, pour obtenir un look unique qui pousse être plus apparent après chaque lavage.

MISE EN GARDE: Ce vêtement contient une couleur fragile la couleur peut s'estomper ou purger. Laver avant porter. Vêtements de Qualité temps testé fabriqué à la main et sur mesure pour adapter la forme

FRONT

BACK

MAIN LABEL
#S7M-ML30 (#BLK)

CARE LABEL
#S7M-SL1-W3 (#BLK)
*** with style no. + wash + UPC code

LEATHER PATCH
S7M-BP1 (#BLK)

JOCKER TAG *NEW
S7M-JT- 4WAY-20 (#BLK)

- SizeBar**
Sam's Club color code related, per size. Colors need match w/ LegSticker.
- Style Info**
- style number, wash name, Fit name
- UPC barcode**
- MSRP**

POCKET FLASHER *NEW
@ Right Back Pocket #S7M - PF- 4WAY -20SLST (#BLK)

LEG STICKERS
S7M - LS
- 4WAYNEW (#COL)

*** clear ground with color bubble, Sam's Club color code related, per size. (not all of them are blue)

32 x 34

32 x 34

32 x 34

32 x 34

32 x 34

32 x 34

32 x 34

32 x 34

32 x 34

32 x 34

32 x 34

Labeled Images

Seven7 MENS BUTTONS / RIVETS



BUTTONS(啞叻)
COL: DULL NICKLE (DN)

code: 34L: S7DHB-34B-DN
code: 32L: S7DHB-32B-DN



BUTTONS(青古)
COL: ANTIBRASS (AB01)

code: 34L: S7DHB-34B-AB01
code: 32L: S7DHB-32B-AB01



BUTTONS (古銅)
COL: ANTI COPPER (AC)

code: 34L: S7DHB-34B-AC
code: 32L: S7DHB-32B-AC



BUTTONS(深青古)
COL: DULLBRASS (CD005)

code: 34L: S7DHB-34B-CD005
code: 32L: S7DHB-32B-CD005



BUTTONS(克叻)
COL:OLDSILVER (OS)

code: 34L: S7DHB-34B-OS
code: 32L: S7DHB-32B-OS



BUTTONS (朱古力)
COL: CHOCOLATE (WS065)

code :34L: S7DHB-34B- WS065
code :32L: S7DHB-32B- WS065



BUTTONS (克光油)
COL: BLACKENAMEL (BLK)

code: 34L: S7DHB-34B-BLK
code: 32L: S7DHB-32B-BLK



20LRIVETS (13MM)

code: 7S-LOGO-20L (col#)



BUTTONS(啞克)
COL: MATTEBLACK (MBLK)

code: 34L: S7DHB-34B-MBLK
code: 32L: S7DHB-32B-MBLK



18LRIVETS (11MM)

code: 7SEVEN-18L(col#)



16LRIVETS (10MM)

code: 7SEVEN-218 (col#)